

1D Linear CCD Bluetooth Barcode Scanner



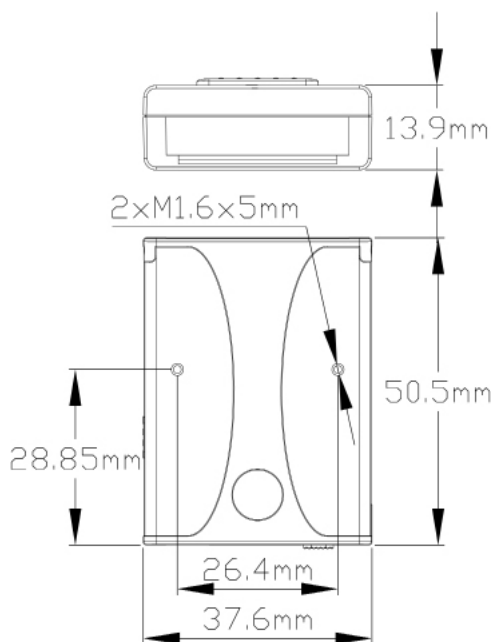
GS M300BT is a lightweight, small, intelligent Bluetooth companion scanner. It can read 3 mil ultra-high density barcode label. The high mobility&cross-platform design and flexible way of using make it an ideal solution for mobile barcode scanning.

GeneralscanDynaExpo algorithm guaranteess its superior performance, excellent reading ability

The off-line storage capacity of more than 10000 15 bite character barcode enables your work more convenient and flexible. With handheld adapter, you can make GS M300BT as traditional USB handheld barcode scanner work with PC.

Feature

- ◇ High resolution linear CCD sensor, no moving parts, improve product reliability;
- ◇ Support pairing in both Bluetooth HID and SPP mode,Support hide and display keyboard with iOS system
- ◇ Long battery life, keep working for 12 hours with 10 second interval trigger
- ◇ Bulid-in memory and large off-line storage up to 10000 pcs barcode
- ◇ High density model can read 3mil barcode
- ◇ Full compatibility with iOS,Android, WindowsPhone,X86 Windows tablet and smartphone



Depth of Field

Barcode Width(HD)	DOF
0.003"(0.076mm)	50mm-100mm
0.005"(0.127mm)	50mm-140mm
0.010"(0.254mm)	50mm-170mm
0.015"(0.381mm)	45mm-190mm
0.020"(0.508mm)	45mm-220mm

Barcode Width(LD)	DOF
0.005"(0.127mm)	100mm-170mm
0.010"(0.254mm)	70mm-320mm
0.015"(0.381mm)	60mm-410mm
0.020"(0.508mm)	50mm-490mm

Dimension : L50.5mm×W37.6mm×H13.9mm

Weight : 50g

Sensor: 2500 line Linear CCD , 650nm

Decode Speed: 270 times/s

Scan Angle: Skew±30° , Pitch±65° , Roll±25°

Working Temp : -10° C -60° C (-4° F -140° F)

Humidity: 5%-90% (Non-condensing)

Mechanical Vibration : IEC 60068-2-6

Mechanical Shock: IEC 60068-2-27

ESD Protection: EN 55024 (IEC 61000-4-2 , Contact Discharge : ±4KV , Air Discharge : ±8KV) , IEC 61000-4-4 ,

IEC 61000-4-5 , IEC 61000-4-6 , IEC 61000-4-11

RF Immunity: IEC 61000-4-3 , 10V/m

Power Emission: EN 55022 , class B ; EN61000-3-2 ; IEC 61000-3-3

Ambient Light: 100,000 lux

Optional Accessory :

USB Cable : use for communication and power charge

Handhold adpater , GS D100BT USB Bluetooth Dongle , Strap

Warranty : Scanner 1 year , Battery :6 month

Input Voltage: DC5 v±0.15 V

Working Current: 55mA (working) /160 mA (Max)

Standby Current: < 8mA

Communication:USB2.0, Bluetooth 3.0

Battery Capacity : 300mAh

Standby Time : 3 day

Working Time : 12 hours working time with 10 second trigger interval

Symbologies :

UPC-A , UPC-E , EAN-13 , EAN-8 , ISBN/ISSN , Code 39 , I25 , Code 128

Barcode Contrast : >25%(1D)

Certification : CE , ROHS , WEEE compatibility

GENERALSCAN

Generalscan Electronics Co.; Ltd

Sales Center :

Add:Unit 2C15, Building 2, YuFeng Plaza, No.32, HeLongYi Road, HuangShi Street, Baiyun District, Guangzhou, China.510425

Tel: +86-20-36713951

Fax: +86-20-62351535

Email : sales@generalscan.com

Web:www.generalscan.com