

## 2D Bluetooth Barcode Scanner



GS M500BT 2D Bluetooth companion scanner is mini size and powerful new generation barcode scanner. It can be combined with smartphone to be a professional data collection terminal .

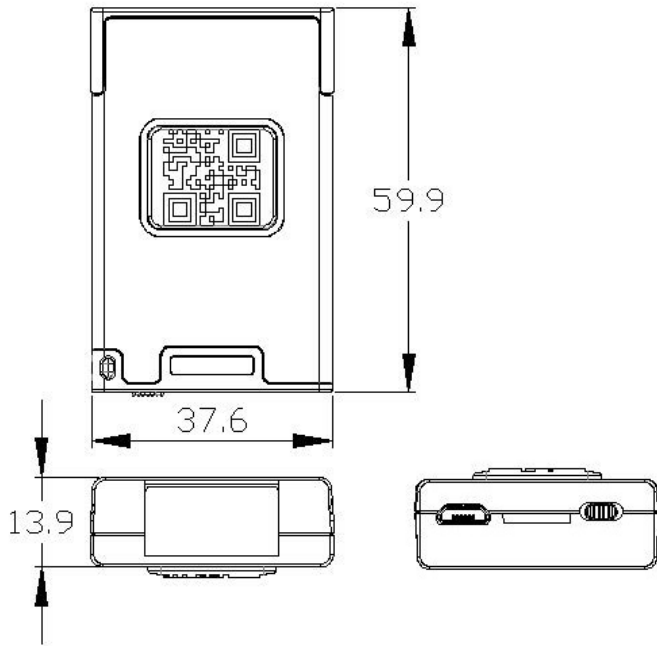
It features advanced CMOS imager scan engines which can rapidly decode 1D and 2D barcode into your smartphone via Bluetooth, such as iPhone, iPad, and all kinds of android smartphone.

With GS M500BT Bluetooth companion scanner, you do not need to buy the expensive and heavy PDA anymore! It has dual field optics, both high density and wide field in the same unit.

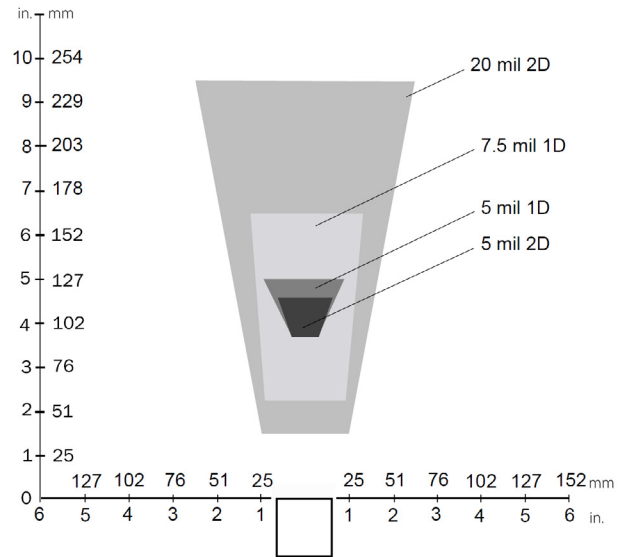
Build in high volume Li-ion battery, holds up to 8 hours scan with 10 seconds interval trigger. Build-in memory and large off-line storage up to 10000 barcodes

### Feature

- ◇ Patented Dual Field Optics ,Both High Density and wide field in the same unit
- ◇ Low power consumption bluetooth 3.0 technology ,support HID and SPP protocol
- ◇ 8 hours scanning with 10 second interval trigger
- ◇ Bulid-in memory and Offline save mode ,can save 10000 pcs barcode in the scanner
- ◇ Smartphone screen barcode redibility
- ◇ Ultrafast hardware decode ability



## Depth of Field



**Dimension:** L59.9mm×W37.6mm×H13.9mm  
**Weight :** 50g

**Sensor Type:** CMOS 120 Mega Pixels(1280X960)  
**Scan Speed:** 30 times/s  
**Scan Angle:** ±60° , ±60° , ±180°  
 ( Pitch,Skew,Rotation )  
**Working Temp :** -10° C-60° C ( -4° F-140° F )  
**Humidity :** 5%-90% ( No Condensing )

**Ambient Light :** Max 96800 Lux

**DOF %Resolution :**  
 3 mil Code39 : 80mm- 102 mm  
 7.5 mil Code39 : 33mm-182 mm  
 10 mil GS1Databar : 20mm-220 mm  
 5 mil DM : 43mm-115 mm  
 10 mil DM : 20mm-180 mm  
 20 mil DM : 28mm-343 mm

**Barcode Contrast :** >25%(1D),>35%(2D)  
**Communication :** USB2.0,Bluetooth 3.0  
**Battery Volume :** 750mAh  
**Standby :** 3 day

**Working Time :** 14 hours with 10 second trigger interval

**Certification :** CE , ROHS , WEEE compatible

**Input Voltage:** DC5 V±0.15V  
**Scan Current:** 40 ma ( working )/220 ma ( max )  
**Standby Current:** < 5ma

## Symbologies :

**1D:** Codabar, Code 11, Code 32, Code 39, Code 93, Code 128, IATA 2 of 5, Interleaved 2 of 5, GS1 DataBar (RSS), Hong Kong 2 of 5, Matrix 2 of 5, MSI Plessey, NEC 2 of 5, Pharmacode, Plessey, Straight 2 of 5, Telepen, Trioptic, UPC/EAN/JAN

**Stacked 1D:** Codablock F, MicroPDF, PDF417, GS1 Composite (CC-A/CC-B/CC-C)

**2D:** Aztec Code, Data Matrix, Han Xin, MaxiCode, Micro QR, QR Code

**Proprietary 2D:** GoCode (Additional License Required)

**Postal Codes:** Australian Post, Intelligent Mail, Japan Post, KIX Code, Korea Post, Planet, Postnet, UK Royal Mail, UPU ID-tags

## Optional Accessory :

**USB Cable :** use for communication and power charge

**Handhold adpater , GS D100BT USB Bluetooth Dongle , strap**

**Warranty :** Scanner 1 year , Battery :0.5 year

**Certification:** CE , ROHS

# GENERALSCAN

## Generalscan Electronics Co.; Ltd

### Sales Center :

**Add:**Unit 2C15,Building 2, YuFeng Plaza,No.32,HeLongYi Road, HuangShi Street,Baiyun District,Guangzhou, China.510425

**Tel:** +86-20-36713951

**Fax:** +86-20-62351535

**Email :** sales@generalscan.com

**Web:**www.generalscan.com