

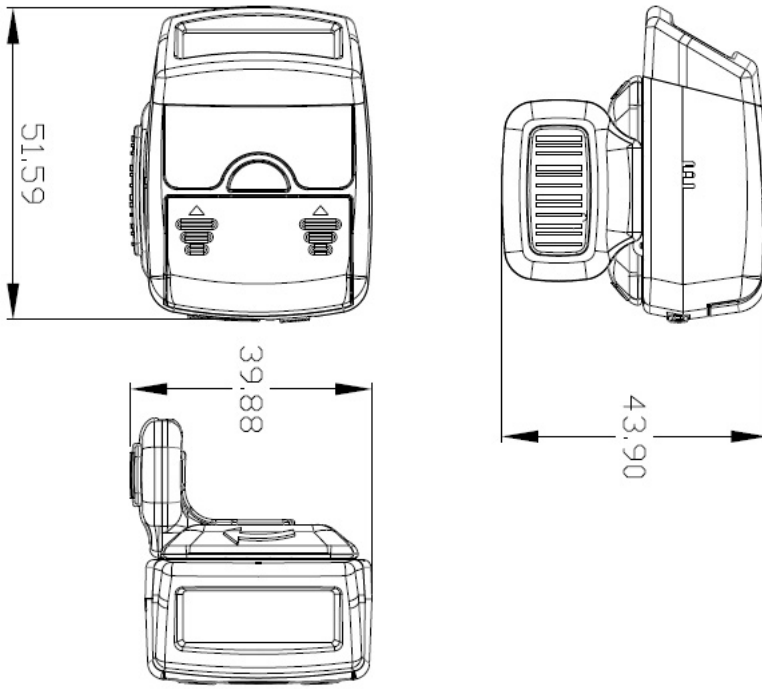
Wired Wearable 1D Linear CCD Ring Barcode Scanner

The tiny GS R1300U(S) is wired usb or rs232 1D laser ring barcode scanner allowing you for movement scanning, picking and sorting application. You can wear it on your finger to free your hand to handle materials, goods and packages while scanning

It gives you back both hands and save your time. The GS R1300U(S) integrates affordable 1D scanning engine without sacrificing performance. Fast scanning speed and readability of poorly printed, low contrast and damaged 1D barcode improve your productivity.

Feature

- ◇ tiny size and easy to wear on the finger, easily rotation for left hand and right hand
- ◇ High durability and shock resistance that allowing you have low total cost of ownership.
- ◇ Free operator's hands to move package, products or materials, helping to improve efficiency and productivity.
- ◇ Ideal for express logistic, warehousing, traceability, asset management, shopping mall and supermarket.
- ◇ Swivel feature to enables easy switching from right to left hand use
- ◇ Work with GS D100BT, it can increase the wireless transmit distance for 50 meters



Dimensions : L51.59mm×W39.88mm×H43.9mm

Weight : 50g

Input Voltage:DC5 V±0.15 V

Scan Current : 110 mA

Low Power Current :400uA

Shock :2000G

Sensor Type: 1500 line Linear CCD

Illumination: LED 610nm

Scan Speed: 50 scan/second

Scan Angle: Skew±50° , Pitch±65° , Roll±25°

Optical Resolution : 5mil

Ambient Light : 0 ft candles (0 Lux)to 10,000 ft candles(110,000Lux)

Operating Temp: 0° to 50° C

Storage Temp: -40° to 70° C

Humidity: 5%-95% non-condensing

Minimun Print Contrast : 20% MRD measured at 630nm

Shock :1500G

Interface: USB 2.0 or RS232

Decode Range:

Barcode		Distance		
Specifications	Part Number / Encoded Characters		Typical	Guaranteed
Code 39, 5mil 80% MRD	64-17453-01 "ABCDEFGH"	Near	4.25 in. / 107.95 mm	5.75 in. / 146.05 mm
		Far	9.25 in. / 234.95 mm	7.75 in. / 196.85 mm
Code 39, 7.5mil 80% MRD	64-17452-01 "ABCDEF"	Near	3.25 in. / 82.55 mm	4.5 in. / 114.3 mm
		Far	12.5 in. / 317.5 mm	10.0 in. / 254 mm
100% UPC-A 80% MRD	64-05303-01 "012345678905"	Near	2.25 in. / 57.15 mm	2.5 in. / 63.5 mm
		Far	15.5 in. / 393.7 mm	11.25 in. / 285.75 mm
Code 39, 20mil 80% MRD	64-17456-01 "123"	Near	3.0" in. / 76.2 mm	3.0" in. / 76.2 mm
		Far	20.0 in. / 508 mm	17.0 in. / 431.8 mm

Notes:

- Distances are measured from the front flange surface of the image lens.
- The distances marked with asterisk (*) are a result of the field of view (FOV) limitation.
- Image signal should be with "Raw" option checked
- Successful decoder criteria: Less than 250ms decode time, maximum of two attempts.
- Symbols are to be mounted with a pitch of 15 +/- 3 degrees away from the engine.
- Maximum allowable roll angle of symbols relative to the engine mounting base plane is +/- 3.0 degrees.

Symbologies :

1D: Codabar, Code 11, Code 32, Code 39, Code 93, Code 128, IATA 2 of 5, Interleaved 2 of 5, GS1 DataBar (RSS), Hong Kong 2 of 5, Matrix 2 of 5, MSI Plessey, NEC 2 of 5, Pharmacode, Plessey, Straight 2 of 5, Telepen, Trioptic, UPC/EAN/JAN

Accessory : USB Cable or RS232 Cable

Warranty : 1 year

Certification: CE , ROHS

GENERALSCAN

Generalscan Electronics Co.; Ltd

Sales Center :

Add:Unit 2C15,Building 2, YuFeng Plaza,No.32,HeLongYi Road, HuangShi Street,Baiyun District,Guangzhou, China.510425

Tel: +86-20-36713951

Fax: +86-20-62351535

Email : sales@generalscan.com

Web:www.generalscan.com