

Enterprise Sled for Samsung Android Smartphone



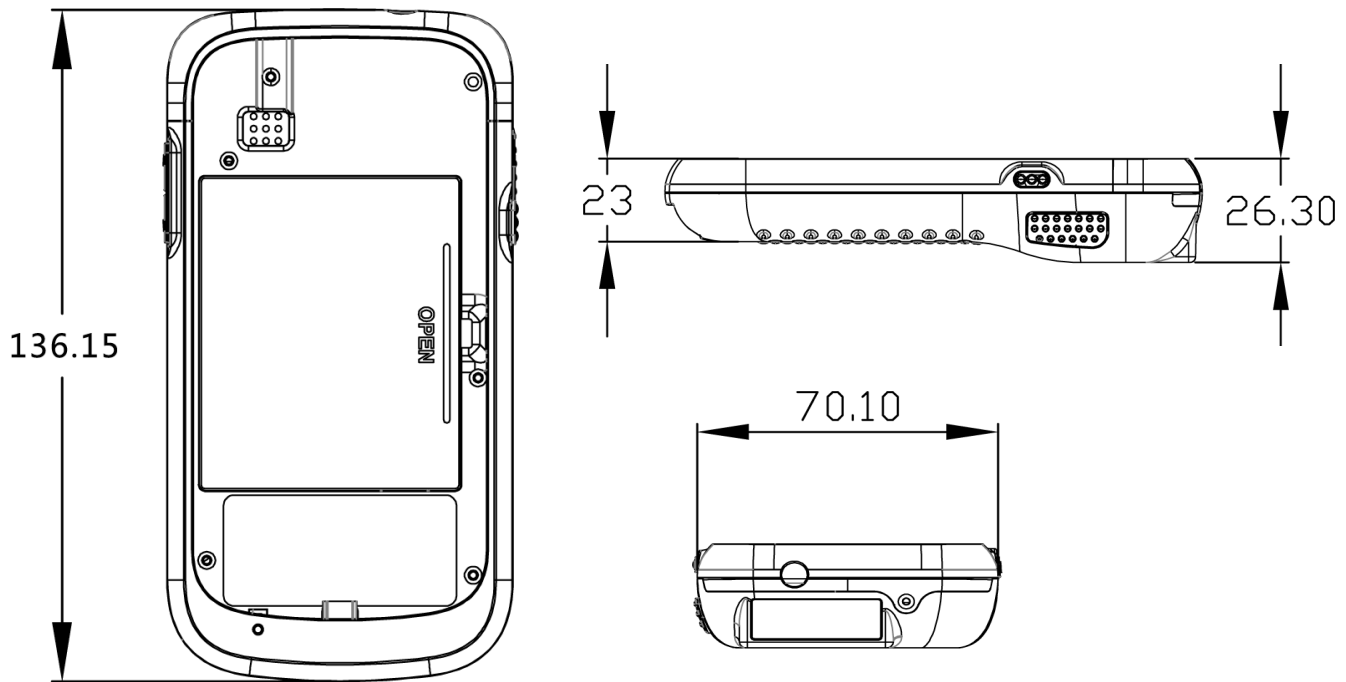
GS SL2000 is powerful new generation enterprise sled for Samsung android smartphone. It can turn Samsung Trend Duos android smartphone to be a professional data collection terminal.

With this device, you can increase productivity and efficiency, decrease the cost of your work, improve the customer experience, and increases in device acceptance for end user.

The Samsung Trend-Duos empower with Android 4.0 Ice cream sandwich system and upgraded dual SIM feature, equipped with 4" WVGA vivid display, 1GHz high speed processor, AGPS, Bluetooth, 5.0Mega-pixel Camera.

It brings you a brand new experience with excellent performance to your professional application .And it is optimal for you to select different hardware configuration with 1D barcode ,2D barcode with GS SL2000.

We also provide free icloudscan serve for you. With the free App, you can easily share the data with your colleague.



Dimension : L136.15mm×W70.1mm×H26.3mm
Weight : 120g

Working Temp : -10° C-60° C (-4° F-140° F)

Device Compatibility : Samsung Trend Duos S7562 Series

Humidity: 5%-90% (None Consending)

Input Voltage : DC5 V±0.15 V

Scan Current: 65 ma (Working) /110 ma (Max)

Standby Current: < 3 ma

Communication : Android USB Accessory or Bluetooth 3.0

Symbologies :

1D : Codabar, Code 11, Code 32, Code 39, Code 93, Code 128, IATA 2 of 5, Interleaved 2 of 5, GS1 DataBar (RSS), Hong Kong 2 of 5, Matrix 2 of 5, MSI Plessey, NEC 2 of 5, Pharmacode, Plessey, Straight 2 of 5, Telepen, Trioptic, UPC/EAN/JAN

Stacked 1D: Codablock F, MicroPDF, PDF417, GS1 Composite (CC-A/CC-B/CC-C)

2D: Aztec Code, Data Matrix, Han Xin, MaxiCode, Micro QR, QR Code

Proprietary 2D: GoCode (Additional License Required)

Postal Codes: Australian Post, Intelligent Mail, Japan Post, KIX Code, Korea Post, Planet, Postnet, UK Royal Mail, UPU ID-tags

Development Tools

Eclipse ,Java,SDK for Bluetooth and USB Accessory

Application Software

Free iCloudscan.net Service

Accessory:

USB Cable,Optional Backup Battery

Warranty :

Scanner : guaranteed for one year

Battery : half a year offer lifetime maintenance

Laser Safty: EN60825-1 , Class 1

Battery Volume : 1500mAh

Standby Time : 3 day

Working Time : 12 hours with 10 second trigger interval



Generalscan Electronics Co.; Ltd

Sales Center :

Add:Unit 2C15,Building 2, YuFeng Plaza,No.32,HeLongYi Road, HuangShi Street,Baiyun District,Guangzhou, China.510425

Tel: +86-20-36713951

Fax: +86-20-62351535

Email : sales@generalscan.com

Web:www.generalscan.com