

## Enterprise Sled for Samsung Android Smartphone



Even in challenging working environments, you can trust Generalscan Enterprise Barcode Sled SL3000 industrial-grade barcode scanners to provide superior durability and reliability.

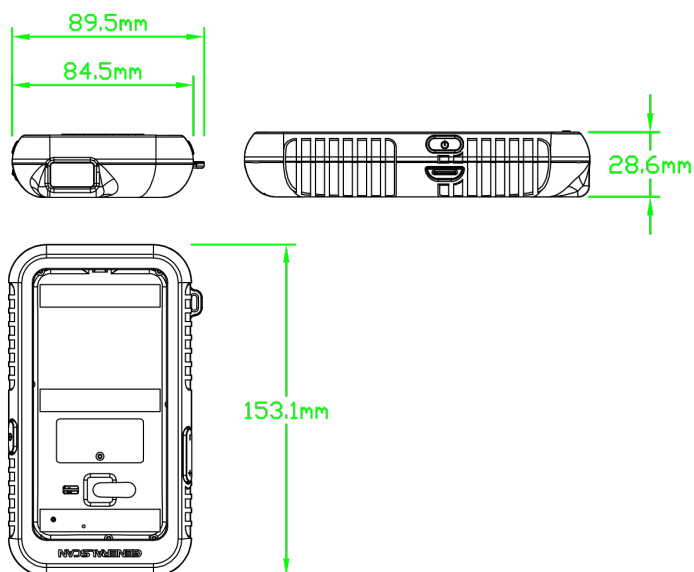
SL3000 is specially designed for heavy industry: The rugged house made from silicone could protect it intact even it's dropped from 1.8m high places to concrete ground; waterproof grade reaches IP53. SL3000 with 2000mAh lithium ion battery can meet the demand of your work while achieving your daily communication!

SL3000 series has 1D&2D barcodes readability, which supports Bluetooth wireless communication technology. It can turn Samsung J1 2016 Android smartphone to be a professional data collection terminal.

The embedded smartphone of SL3000 optimized whole scanning performance. Android 5.1 operate system, Quad-Core CPU and 4.5" main display are all at your fingertips. It also supports 2G GSM, 3G WCDMA, 4G FDDLTE networks.

With this device, you can increase productivity, improve customer experience and lower the cost of work. It's a perfect partner for workers in heavy industry, warehouse management, retail, logistics and healthcare. We also provide free iCloudscan App for you to easily share data with your colleague.

# Specification



## Mechanical

**Dimension:** L153.1mm×W89.5mm×H28.6mm

**Weight:** 193g

**Device Compatibility:** Samsung Galaxy J1 2016

## Electrical

**Input Voltage:** DC5 V± 5%

**Scan Current:** 330 mA

**Standby Current:** 57 mA

**Battery Volume:** 2000mAh

**Working Time:** 10 hours per 1 second decode

**Standby Time:** 35 hours

## Symbologies

**1D:** Codabar, Code 11, Code 32, Code 39, Code 93, Code 128, IATA 2 of 5, Interleaved 2 of 5, GS1 DataBar (RSS), Hong Kong 2 of 5, Matrix 2 of 5, MSI Plessey, NEC 2 of 5, Pharmacode, Plessey, Straight 2 of 5, Telepen, Trioptic, UPC/EAN/JAN

**Stacked 1D:** Codablock F, MicroPDF, PDF417, GS1 Composite (CC-A/CC-B/CC-C)

**2D:**

Aztec Code, Data Matrix, Han Xin, MaxiCode, Micro QR, QR Code

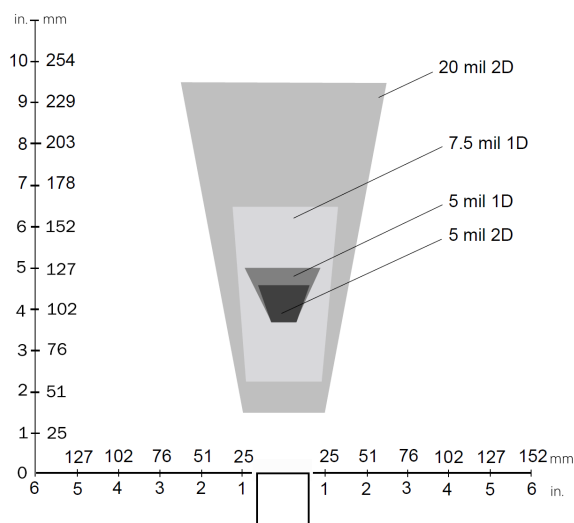
**Proprietary 2D:**

GoCode (Additional License Required)

**Postal Codes**

Australian Post, Intelligent Mail, Japan Post, KIX Code, Korea Post, Planet, Postnet, UK Royal Mail, UPU ID-tags

## Depth of Field



## Environmental

**Working Temp:** -25° C~+55° C

**Storage Temp:** -30°C ~+65°C

**Humidity:** 5%-95%

**Light Level:** 0~96890 LUX

**Shock:** Withstands multiple drops of 6' (1.8 Meters)

## Other Informations

**Electromagnetic:** The FCC Part15 Class B, CE

**Communication:** USB 2.0, Bluetooth 4.0

**Development Tools:** Eclipse, Java, SDK for Bluetooth

**Accessory:** USB Cable

## Warranty

**Scanner:** 1 year

**Battery:** 6 month

**GENERALSCAN**

## Generalscan Electronics Co.; Ltd

**Add:** Room A608, 6 Floor, Building 3, Yadi Science Park, Hetai Road, Baiyun District, Guangzhou, China.510425

**Tel:** +86-20-28630420

**Fax:** +86-20-62351535

**Email:** sales@generalscan.com

**Web:** www.generalscan.com