

1D USB Barcode Accessory



ScanBuddy GS X3 is a new revolutionary of 1D CCD Micro USB barcode accessory for Android and Windows OS platform which support OTG function.

Plug and play – you can change your smartphone to be an intelligent barcode terminal immediately with micro-USB plugged into Android smartphone and tablet. Meanwhile, it has no built-in battery so that there is no need for extra charging.

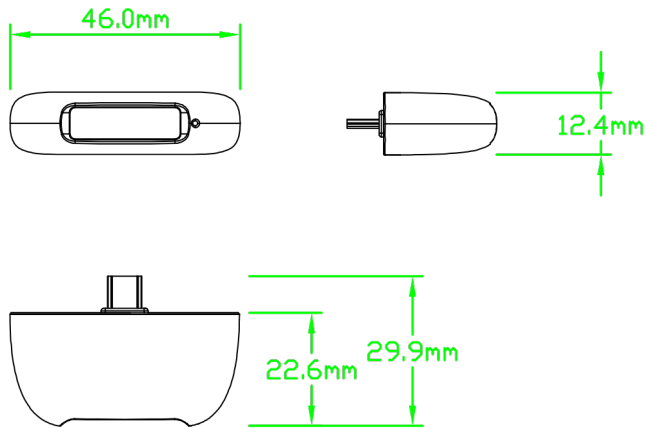
Small and slim size makes your barcode scanning more easily. The standard accessory portable lanyard enables you to carry the ScanBuddy wherever needed.

We provide free ScanBuddy software to control ScanBuddy. If you wouldn't like to use it, we also provide free SDK for you to develop your own software. It is the most cost-effective solution for inventory management, POS, retail, ticket checking, healthcare system and etc.

Feature

- ◇ Generalscan high performance scan engine make barcode scanning easily
- ◇ USB host protocol support, Plug and Play, No need install any driver for Android system
- ◇ Low power consumption, can scan barcode for above 12hours and No battery inside
- ◇ Light weight and small size
- ◇ Easy programming trigger and communication
- ◇ Support Android smartphone and tablet with USB OTG function and Windows 8.1 X86 tablet

Specification



Mechanical

Dimensions: L46.0mm×W22.6mm×H12.4mm

Weight: 19g

Sensor Type: Linear CCD

Illumination: LED 630±30nm

Scan Angle: Skew±50°, Pitch±65°, Roll±25°

Scan Speed: 50 scan/second

Optical Resolution: 5mil

Field of View: Horizontal: 53° ±3° Vertical: 0.4°

Minimum Print Contrast: 20% MRD measured at 630nm

Electrical

Input Voltage: DC5 V±0.15 V

Scan Current: 165 mA

Low Power Current: <3mA

Shock: 2000G

Environmental

Ambient Light: 9690±5% LUX

Operating Temp: -20° to 50° C

Storage Temp: -40° to 70° C

Humidity: 5%-95% non-condensing

Symbologies

Code128, UCC/EAN-128, AIM 128, EAN-8, EAN-13, ISBN/ISSN, UPC-E, UPC-A, Code39, Interleaved 2 of 5, ITF-6, ITF-14, Matrix 2 of 5, Industrial 25, Standard 25, Codabar, Code 93, Code 11, Plessey, MSI-Plessey, GS1-DataBarTM (RSS) (RSS-14, RSS-Limited, RSS-Expand)

Depth of Field

Barcode		Distance		
Specifications	Part Number / Encoded Characters	Typical		Guaranteed
Code 39, 5mil	64-17453-01	Near	4.25 in. / 107.95 mm	5.57 in. / 146.05 mm
80%MRD	"ABCDEFGH"	Far	9.25 in. / 234.95 mm	7.75 in. / 196.85 mm
Code 39, 7.5mil	64-17452-01	Near	3.25 in. / 85.55 mm	4.5 in. / 114.3 mm
80%MRD	"ABCDEF"	Far	12.5 in. / 317.5 mm	10.0 in. / 254 mm
100%UPC-A	64-05303-01	Near	2.25 in. / 57.15 mm	2.5 in. / 63.5 mm
80%MRD	"012345678905"	Far	15.5 in. / 393.7 mm	11.25 in. / 285.75mm
Code 39, 20mil	64-17456-01	Near	3.0° in. / 76.2 mm	3.0° in. / 76.2 mm
80%MRD	"123"	Far	20.0 in. / 508 mm	17.0 in. / 431.8 mm

Notes:

- Distances are measured from the front flange surface of the image lens.
- The distances marked with asterisk (*) are a result of the field of view (FOV) limitation.
- Image signal should be with "Raw" option checked.
- Successful decoder criteria: Less than 250ms decode time, maximum of two attempts.
- Symbols are to be mounted with a pitch of 15 +/- 3 degrees away from the engine.
- Maximum allowable roll angle of symbols relative to the engine mounting base plane is +/- 3 degrees.

Other Informations

Certification: CE, RoHS, WEEE Complicant

Accessory: Strap, Ring smartphone holder

Warranty: 1 year

GENERALSCAN

Generalscan Electronics Co.; Ltd

Add: Room A608, 6 Floor, Building 3, Yadi Science Park, Hetai Road, Baiyun District, Guangzhou, China.510425

Tel: +86-20-28630420

Fax: +86-20-62351535

Email: sales@generalscan.com

Web: www.generalscan.com