

## 2D USB Barcode Accessory



ScanBuddy GS X5 is a new revolutionary of 2D Imager Micro USB barcode accessory for Android and Windows OS platform which support OTG function.

Plug and play – you can change your smartphone to be an intelligent barcode terminal immediately with micro-USB plugged into Android smartphone and tablet. Meanwhile, it has no built-in battery so that there is no need for extra charging.

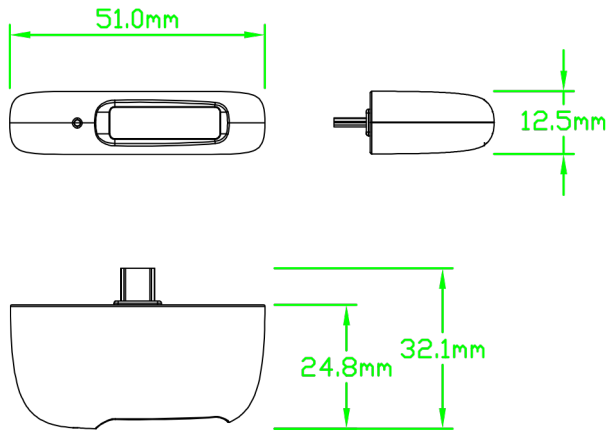
Small and slim size makes your barcode scanning more easily. The standard accessory portable lanyard enables you to carry the ScanBuddy wherever needed.

We provide free ScanBuddy software to control ScanBuddy. If you wouldn't like to use it, we also provide free SDK for you to develop your own software. It is the most cost-effective solution for inventory management, POS, retail, ticket checking, healthcare system and etc.

### Feature

- ◇ Generalscan high performance scan engine make barcode scanning more easily
- ◇ USB host protocol support, Plug and Play, No need install any driver for Android system
- ◇ Low power consumption, can scan barcode for above 8 hours and No battery inside
- ◇ Light weight and small size
- ◇ Fast programming trigger and communication
- ◇ Support Android smartphone and tablet with USB OTG function and Windows 8.1 X86 tablet

# Specification



## Mechanical

**Dimensions:** L51.0mm×W24.8mm×H12.5mm

**Weight:** 17g

**Sensor Type:** 2D-Cmos Imager

**Sensor Resolution:** 1280×800 pixels

**Scan Angle:** Skew±60°, Pitch±60°, Roll±360°

**Scan Speed:** 30 scan/second

**Optical Resolution:** 4mil

**Field of View:** Horizontal: 42°, Vertical: 28°

**Focal Distance:** From front of engine: 7.64 in.

## Electrical

**Input Voltage:** DC5 V±0.15 V

**Scan Current:** 295mA

**Low Power Current:** <3mA

**Shock:** 2500G

## Symbologies

**1D:** Codabar, Code 11, Code 32, Code 39, Code 93, Code 128, IATA 2 of 5, Matrix 2 of 5, Interleaved 2 of 5, GS1 DataBar (RSS), Hong Kong 2 of 5, MSI Plessey, NEC 2 of 5, Pharmacode, Plessey, Straight 2 of 5, Telepen, Trioptic, UPC/EAN/JAN

**Stacked 1D:** Codablock F, MicroPDF, PDF417, GS1 Composite (CC-A/CC-B/CC-C)

**2D:** Aztec Code, Data Matrix, Han Xin, MaxiCode, Micro QR, QR Code

**Postal Codes:** Australian Post, Intelligent Mail, Japan Post, KIX Code, Korea Post, Planet, Postnet, UK Royal Mail, UPU ID-tags

## Decode Range:

Bar Code Type	Near Distance	Far Distance
	Typical	Typical
4 mil Code 39	3.3 in / 8.4 cm	8.8 in / 22.4 cm
5 mil Code 128	2.8 in / 7.1 cm	8.2 in / 20.8 cm
5 mil Code 39	2.0 in / 5.08 cm	13.5 in / 34.3 cm
5mil PDF417	3.1 in / 7.9 cm	8.4 in / 21.3 cm
10 mil Data Matrix	2.9 in / 7.4 cm	10.1 in / 25.7 cm
100% UPCA	1.8 in / 4.6 cm*	26.0 in / 66.0 cm
20.0mil Code 39	2.0 in / 5.08 cm*	30.0 in / 76.2 cm

\*Limited by width of bar code in field of view.

Note: Photographic quality bar code at 15° tilt pitch angle under 30 fcd ambient illumination.

## Environmental

**Ambient Light:** 107,639Lux

**Operating Temp:** -20° to 50° C

**Storage Temp:** -30° to 70° C

**Humidity:** 95% non-condensing

## Other Informations

**Ceritfication:** CE, RoHS, WEEE Complicant

**Accessory:** finger holder, lanyard, user guide, CD

**Warranty:** 1 year

**GENERALSCAN**

## Generalscan Electronics Co.; Ltd

**Add:** Room A608, 6 Floor, Building 3, Yadi Science Park, Hetai Road, Baiyun District, Guangzhou, China.510425

**Tel:** +86-20-28630420

**Fax:** +86-20-62351535

**Email:** sales@generalscan.com

**Web:** www.generalscan.com